

方正证券股份有限公司发行股份购买资产报告书摘要(草案)

Table with 2 columns: 所在地 (Location) and 营业部名称 (Branch Name). Lists branches across various cities like Beijing, Guangdong, Hunan, etc.

根据《上市公司重大资产重组管理办法》... 方正证券在报告期内... 财务状况良好... 盈利能力稳定...

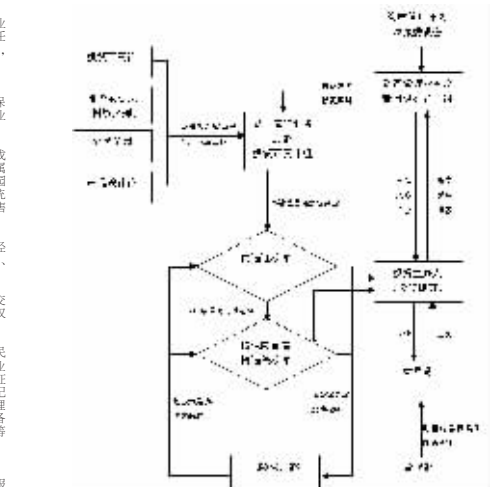


Table with 2 columns: 项目 (Item) and 金额 (Amount). Lists financial metrics such as total assets, liabilities, and equity.

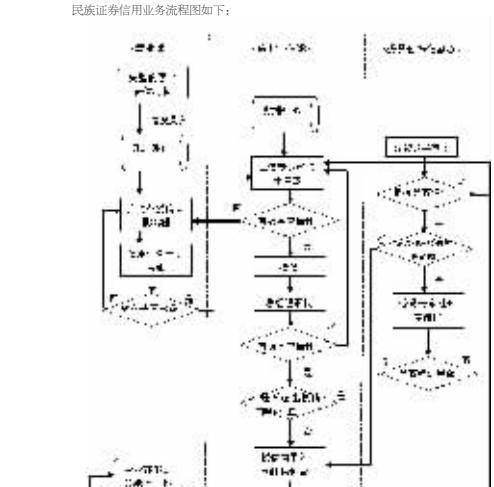


Table with 2 columns: 项目 (Item) and 金额 (Amount). Lists financial metrics for the transaction, including purchase price and consideration.

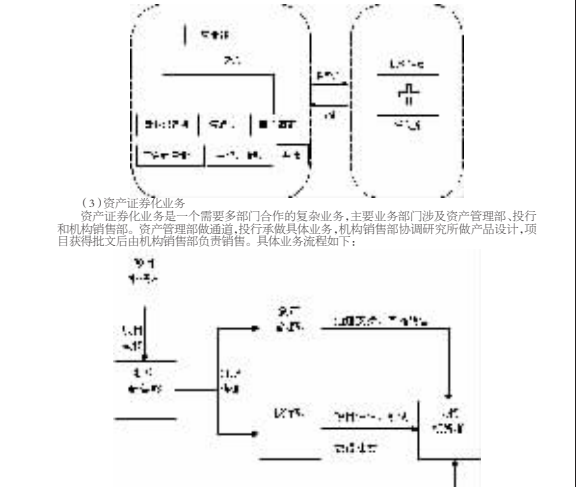


Table with 2 columns: 序号 (Serial Number) and 名称 (Name). Lists the names of the shareholders and their respective shares.

方正证券股份有限公司... 2013年1-12月... 营业收入... 净利润... 总资产... 净资产...

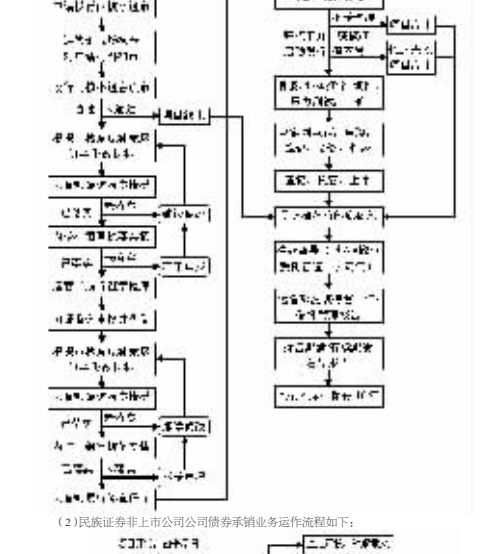


Table with 2 columns: 项目 (Item) and 金额 (Amount). Lists financial metrics for the business operations, including revenue and expenses.

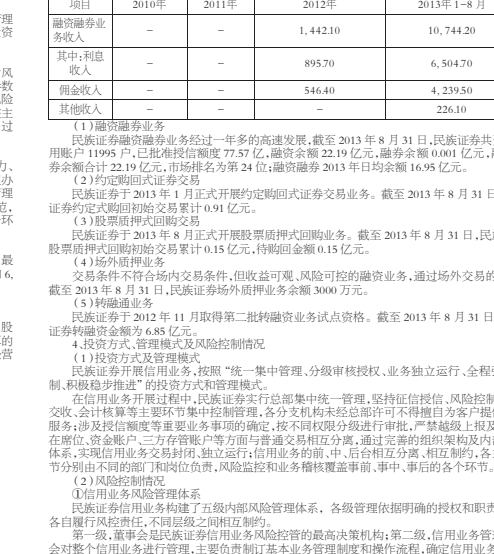


Table with 2 columns: 序号 (Serial Number) and 名称 (Name). Lists the names of the shareholders and their respective shares.

方正证券... 2013年... 营业收入... 净利润... 总资产... 净资产... 资产负债率...

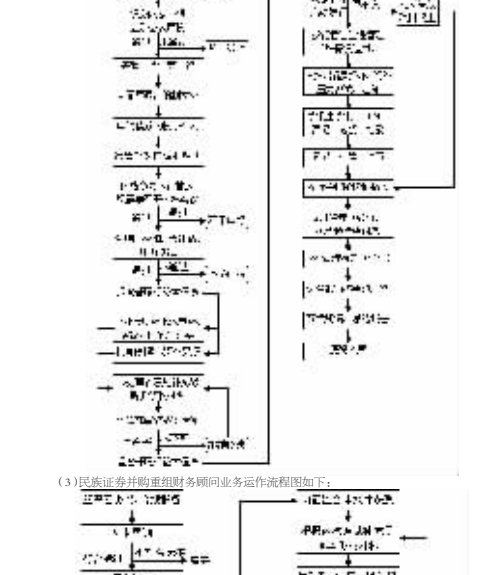


Table with 2 columns: 项目 (Item) and 金额 (Amount). Lists financial metrics for the business operations, including revenue and expenses.

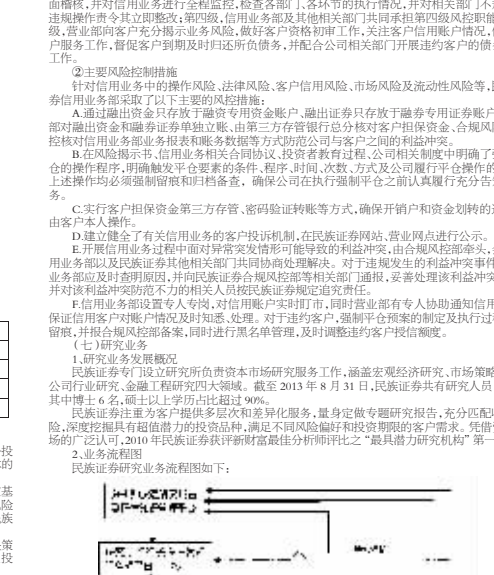


Table with 2 columns: 序号 (Serial Number) and 名称 (Name). Lists the names of the shareholders and their respective shares.

方正证券... 2013年... 营业收入... 净利润... 总资产... 净资产... 资产负债率...

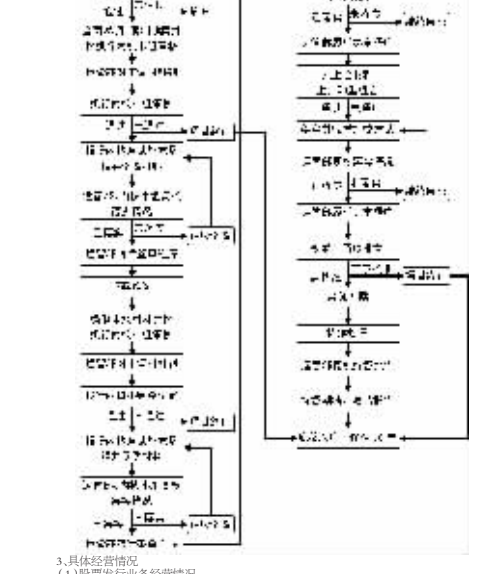


Table with 2 columns: 项目 (Item) and 金额 (Amount). Lists financial metrics for the business operations, including revenue and expenses.

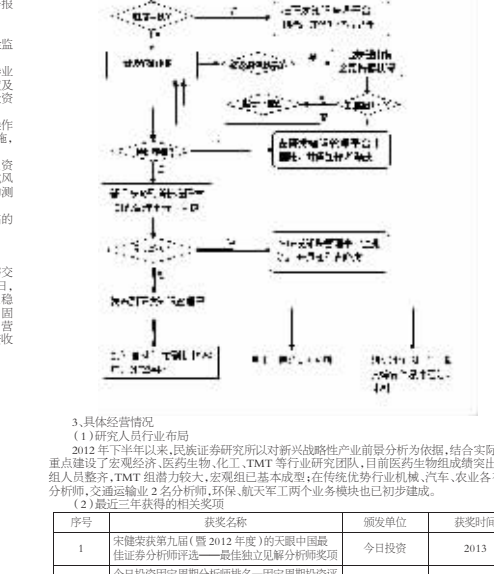


Table with 2 columns: 序号 (Serial Number) and 名称 (Name). Lists the names of the shareholders and their respective shares.

方正证券... 2013年... 营业收入... 净利润... 总资产... 净资产... 资产负债率...

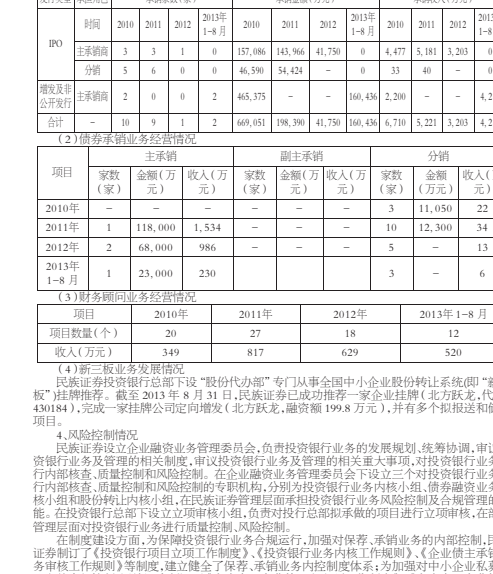


Table with 2 columns: 项目 (Item) and 金额 (Amount). Lists financial metrics for the business operations, including revenue and expenses.

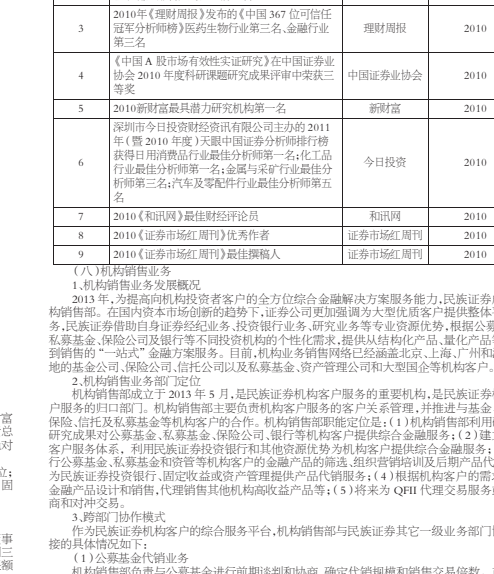


Table with 2 columns: 序号 (Serial Number) and 名称 (Name). Lists the names of the shareholders and their respective shares.

方正证券... 2013年... 营业收入... 净利润... 总资产... 净资产... 资产负债率...

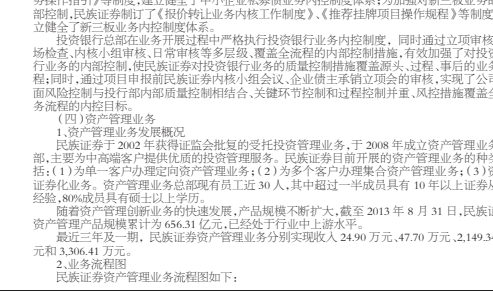


Table with 2 columns: 项目 (Item) and 金额 (Amount). Lists financial metrics for the business operations, including revenue and expenses.

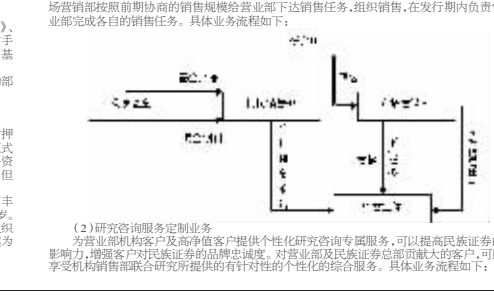


Table with 2 columns: 序号 (Serial Number) and 名称 (Name). Lists the names of the shareholders and their respective shares.